

# TONONE

technical specifications

## BELLA table

Design by Anton de Groof, 2022



The Tonone Bella truly lives up to her name: she's a real bella. Because of the three legs, a completely closed lampshade and the use of only one screw, this table lamp has a functional design. The choice of powder-coated steel makes the Bella look strong.

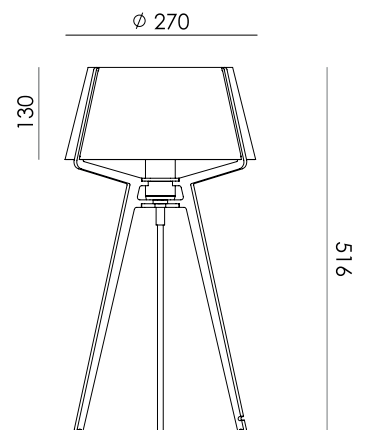
However, the power of the design lies not only in what you can see, but also in what you don't see. Bella's three legs, for example, continue seamlessly toward the lampshade where they form the ribs. In-between these ribs you will find a slot where you can clamp the loose plates. The fitting is the only part that is secured with a screw, which is subtly concealed under a cover. As a table lamp, Bella works well in almost any interior: as a modern touch in a classic home, as a minimalistic feature in a Scandinavian style or as a colorful addition to an industrial environment.

The Tonone Bella is available in 11 colors. To customize the design even further, there is another choice to make: that for the color of the fitting. The fitting of the Bella lamp comes in brass or black. Where black is the classic and timeless option, brass is bolder and more daring. Whichever color you choose, both options can be combined just as easily.

Type	Table
Environment	Indoor
Material	Steel & aluminum
Cord length	Max 2000 mm
Weight	2,3 kg
Voltage	220-240 V
Max Watt	60 Watt
Socket	E27
IP	20
Lightsource	Lightsource not included

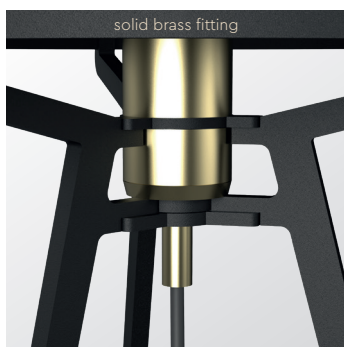
### Packaging

Weight	2,9 kg
Length	30 cm
Width	30 cm
Height	55 cm



# TONONE

technical specifications



		solid brass fitting	black aluminum fitting
●	smokey black	1653	1664
●	flux green	1654	1665
○	pure white	1655	1666
●	midnight grey	1656	1667
●	ash grey	1657	1668
●	striking orange	1658	1669
●	lightning white	1659	1670
●	thunder blue	1660	1671
●	daybreak rose	1661	1672
●	sunny yellow	1662	1673
●	ice blue	1663	1674